



LED HID REPLACEMENT : HIGHBAY/LOWBAY

DESCRIPTION

LED HID Replacement Lamps directly replace high-watt HID fixtures at a fraction of the energy cost.

FEATURES

- Cost-effective solution for highbay and lowbay applications, replacing 400W HID fixtures
- 135 lpw ultra-high efficiency delivers superior performance over legacy HID
- Lasts 3x longer than metal halide or HPS
- Ballast bypass; connects to line voltage
- Up to 80% energy savings
- Solid state; no fans or moving parts
- Instant-on with no warmup
- Surge Suppression: 6kV
- Suitable for use in enclosed fixtures

WARRANTY

- 5 year limited warranty; see eiko.com for warranty details

APPLICATIONS

- Warehouses
- Manufacturing Plants
- Distribution Centers
- Grocery Stores
- Gymnasiums
- Indoor Recreational Facilities
- Cold Storage
- Big Box Retail
- Service Repair Centers



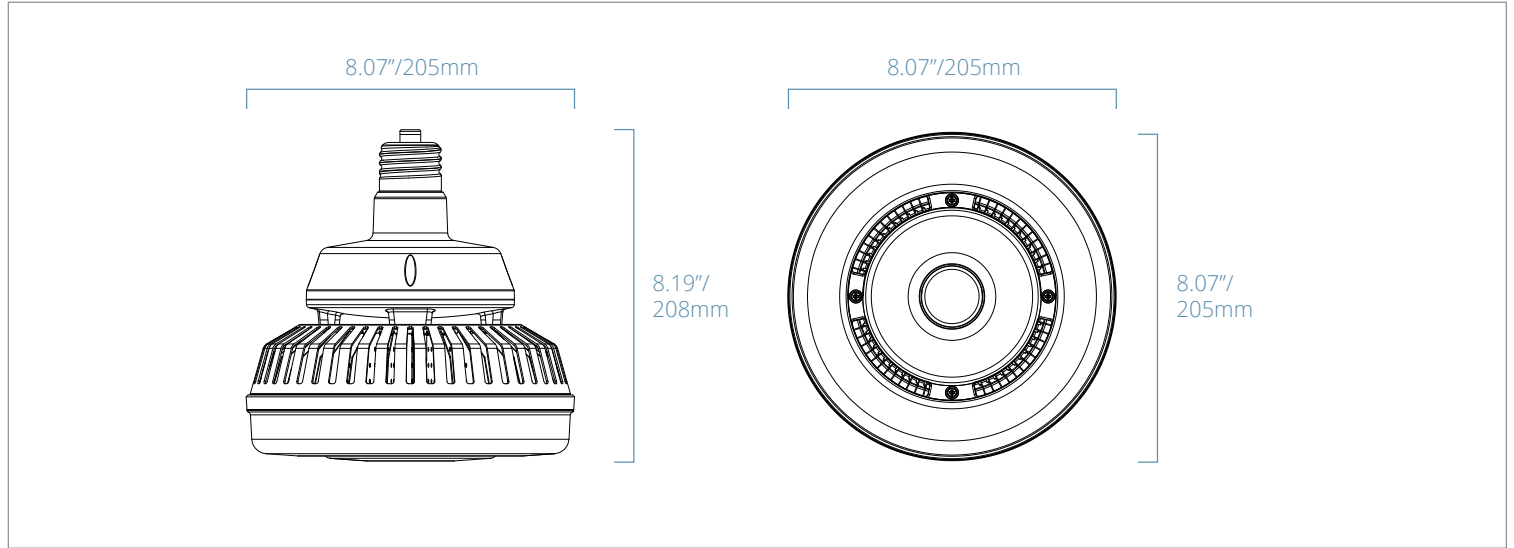
PERFORMANCE	Power Consumption	115W
	Lumens	14,950/15,525
	Efficacy (LPW)	130/135
	CRI	80+
	CCT	3000K, 4000K, 5000K
	Life (L70)	50,000 hours
ELECTRICAL	Power Factor	≥0.9
	THD	<20%
	Input Voltage	120-277V
CONSTRUCTION	Operating Temperature	-40°F to 140°F (-40°C to 60°C)
	Base	EX39
LISTINGS	Certification(s)	DesignLights Consortium® Qualified; cULus Listed; FCC
	Material Usage	
	Environment	UL Dry/Damp location rated

PERFORMANCE SUMMARY

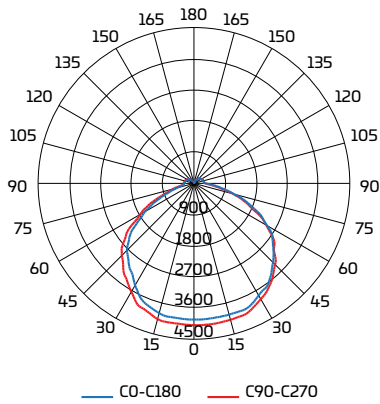
Order Code	Item #	Lumens	Watts	CCT	CRI	Volts	Base	Life/Hours	Replaces HID	DLC
09698	LED115WB40KMOG-G7	14,950	115W	4000K	80+	120-277V	EX39	50K	400W	✓
09699	LED115WB50KMOG-G7	15,525	115W	5000K	80+	120-277V	EX39	50K	400W	✓

NOTE: Use order code when ordering. ✓DesignLights Consortium® Qualified

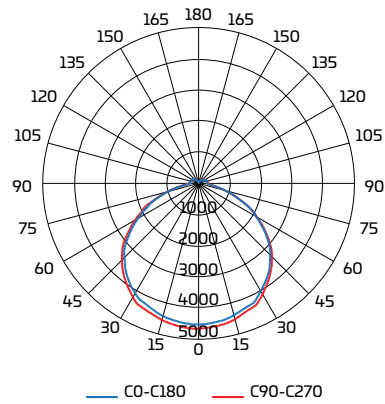
DIMENSIONS



PHOTOMETRICS



4000K



5000K